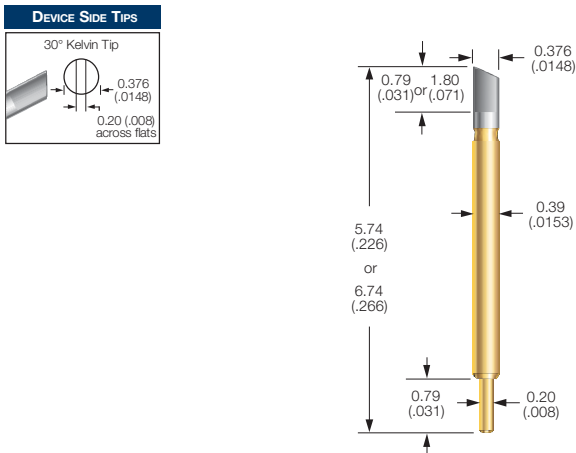


Offset Kelvin Test Probes

101500 KELVIN TEST PROBE



PROBE SPECIFICATIONS

Minimum Device Pitch: 0.50mm (.020)
Signal Path Length:
 5.26mm (.207) for 101500-000
 6.26mm (.247) for 101500-001
Spring Force per Contact: 35g (1.25 oz.)
 @ 0.48mm (.019) travel
Device Compliance: 0.33mm (.013)
DUT Board Compliance: 0.15mm (.006)
Operating Temperature: -55°C to 150°C
Insertions: > 500,000

MATERIALS

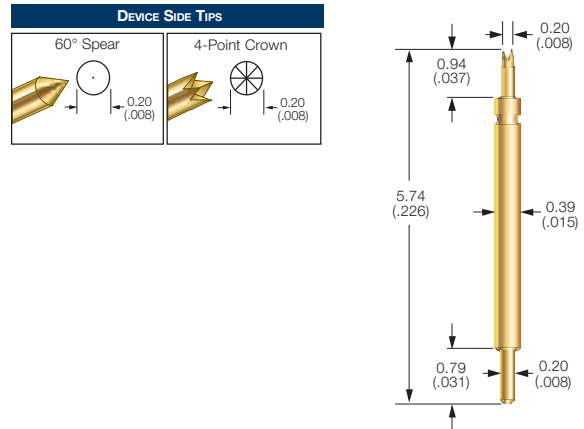
Barrel: Phosphorus Bronze, gold plated
Spring: Stainless steel, gold plated
Device Side Contact: Stainless steel, palladium cobalt plated
Board Side Plunger: Full-hard beryllium copper, gold plated

ELECTRICAL SPECIFICATIONS

Typical Resistance: < 100 mΩ
Current Carrying Capacity: 3 amps continuous
 (Current DC carry capability @ 80° C steady state)

HOW TO ORDER	
Part No.	Overall Length
101500-000	5.74mm (.226)
101500-001	6.74mm (.266)

101245 GROUND PROBE



PROBE SPECIFICATIONS

Minimum Device Pitch: 0.50mm (.020)
Signal Path Length: 5.26mm (.207)
Force per Contact: 35g (1.25 oz.)
 @ 0.48mm (.019) travel
Device Compliance: 0.33mm (.013)
DUT Board Compliance: 0.15mm (.006)
Operating Temperature: -55°C to 150°C
Insertions: > 500,000

MATERIALS

Barrel: Phosphorous bronze, gold plating
Spring: Stainless steel, gold plated
Device Side Contact: Full-hard beryllium copper, gold plated
Board Side Contact: Full-hard beryllium copper, gold plated

ELECTRICAL SPECIFICATIONS

Typical Resistance: < 50 mΩ
Current Carrying Capacity: 3 amps continuous
 (Current DC carry capability @ 80° C steady state)
Pattern 2a: R S R @ 0.5mm pitch
Characteristic Impedance: 41 Ω
Time Delay: 28 pSec
Loop Inductance: 1.16 nH
Signal Pin to Return Capacitance: 0.68 pF
-1 dB Insertion Loss Bandwidth: > 14.6 GHz

HOW TO ORDER		
Part No.	Device Side Tip	PCB Side Tip
101245-000	0.20 4-pt. Crown	Radius
101245-001	Spear Tip	Radius

Specifications subject to change without notice. Dimensions in millimeters (inches)