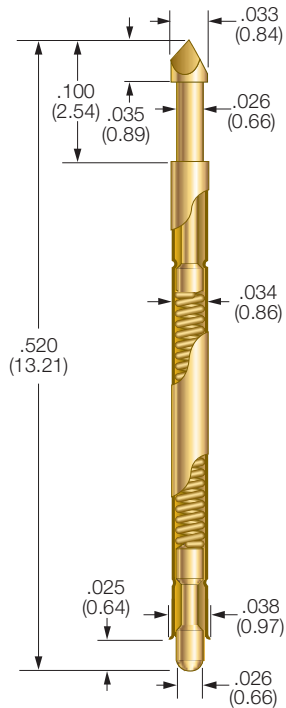
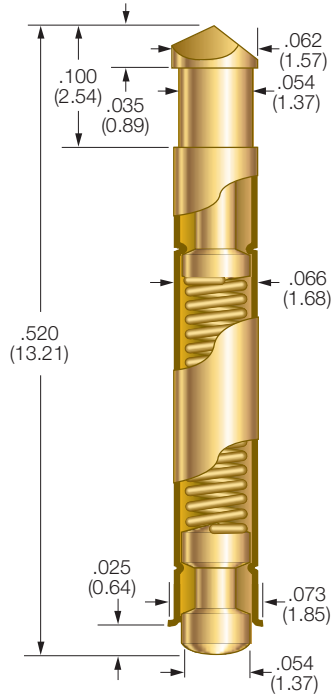


Double Ended Interconnect Probes

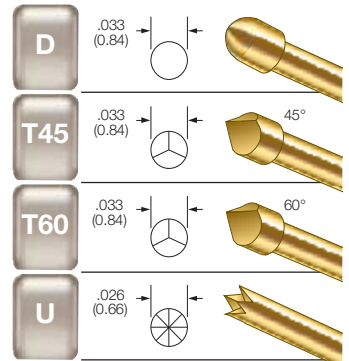
DE-50 PROBE



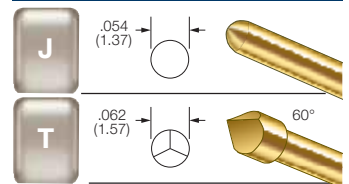
DE-100 PROBE



DE-50 PLUNGERS



DE-100 PLUNGERS



PROBE SPECIFICATIONS

Minimum Centers: .050 (1.27)
 Drill Size: #64 - .0350/.0365 (0.89/0.93)
 Current Rating: 3 amps continuous
 Spring Force: 2.0 oz. (57g) @ .050 (1.27) travel
 Typical Resistance: < 50 mΩ
 Maximum Travel: .080 (2.03)
 Working Travel: .050 (1.27)

MATERIALS

Barrel: Nickel/silver, gold plated
 Spring: Music wire, gold plated
 Plunger: Beryllium copper, gold plated
 Contact: Beryllium copper, gold plated

PROBE SPECIFICATIONS

Minimum Centers: .100 (2.54)
 Drill Size: 1.75mm - .067/.069 (1.70/1.75)
 Current Rating: 3 amps continuous
 Spring Force: 3.0 oz. (85g) @ .050 (1.27) travel
 Typical Resistance: < 50 mΩ
 Maximum Travel: .080 (2.03)
 Working Travel: .050 (1.27)

MATERIALS

Barrel: Nickel/silver, gold plated
 Spring: Music wire, gold plated
 Plunger: Beryllium copper, gold plated
 Contact: Beryllium copper, gold plated

HOW TO ORDER

DE-50-D-2-G
 DE-50-T45-2-G
 DE-50-T60-2-G
 DE-50-U-2-G

HOW TO ORDER

DE-100-T-3-G
 DE-100-J-3-G

Specifications subject to change without notice. Dimensions in inches (millimeters)