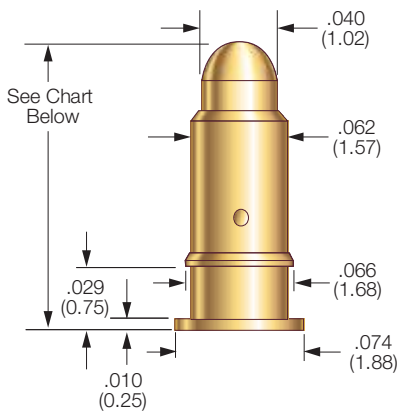
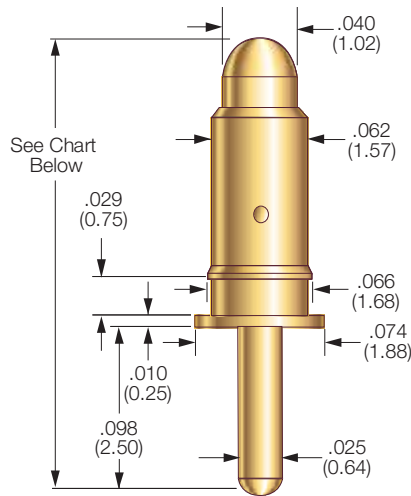


# .100 CENTERS C Series Probes

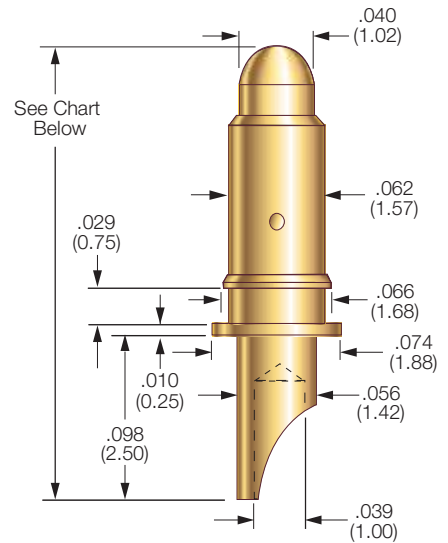
## SURFACE MOUNT



## THRU HOLE MOUNT



## SOLDER CUP



### PROBE SPECIFICATIONS

Minimum Centers: .100 (2.54)

Current Rating:

- CG Series: 10 amps continuous
- CP Series: 10 amps continuous
- CS Series: .5 amp continuous
- (Individual probe in free air @ ambient temperature)

Typical Resistances:

- CG Series: < 10 mΩ
- CP Series: < 10 mΩ
- CS Series: < 60 mΩ

Spring Force:

- 3.1 oz. (88g) @ working travel for 4mm compressed length series
- 2.9 oz. (82g) @ working travel for 6mm compressed length series

### MATERIALS

Barrel: Brass, gold plated

Spring: Stainless steel

Plunger:

- CG Series: Brass, gold plated
- CP Series: Brass, gold plated
- CS Series: Brass, Duralloy™ plated

Special Features:

- CG Series: Bias plunger design
- CP Series: Bias plunger design
- CS Series: Standard design

Recommendations:

- Mounting hole: .064/.065 (1.62/1.65)
- Pad size for Surface Mount: .085 (2.20)
- Wire gage for Solder Cup: 20 gage max.
- Drill size for Thru Hole Tail: .035 (0.89)

Overall Length			
Series	SURFACE Mount	Thru Hole	Solder Cup
CG-2.5-4	.197 (5.00)	.295 (7.50)	.295 (7.50)
CG-2.5-6	.335 (8.50)	.433 (11.00)	.433 (11.00)
CP-2.5-4	.185 (4.70)	.283 (7.20)	.283 (7.20)
CP-2.5-6	.315 (8.00)	.413 (10.50)	.413 (10.50)
CS-2.5-4	.185 (4.70)	.283 (7.20)	.283 (7.20)
CS-2.5-6	.315 (8.00)	.413 (10.50)	.413 (10.50)

Travel		
Series	Working Travel	Maximum Travel
CG-2.5-4	.039 (1.00)	.039 (1.00)
CG-2.5-6	.098 (2.50)	.098 (2.50)
CP-2.5-4	.028 (0.71)	.028 (0.71)
CP-2.5-6	.079 (2.00)	.079 (2.00)
CS-2.5-4	.028 (0.71)	.028 (0.71)
CS-2.5-6	.079 (2.00)	.079 (2.00)

### HOW TO ORDER

<b>CS</b>	<b>2.5</b>	<b>4</b>	<b>SM</b>
SERIES	PITCH (MM)	COMPRESSED LENGTH (MM)	TERMINATION

SERIES: CG: Ground Connector Probe  
 CP: Power Connector Probe  
 CS: Signal Connector Probe

4: 4 mm  
 6: 6 mm

SM: Surface Mount  
 TH: Thru Hole  
 SC: Solder Cup

View updates of this information at [www.idinet.com](http://www.idinet.com)

Specifications subject to change without notice. Dimensions in inches (millimeters)