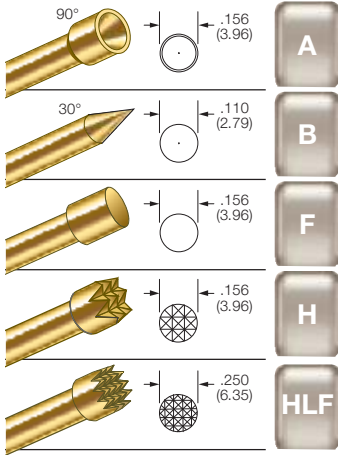


Series S SIZE 5 .187 CENTERS

BeCu PLUNGER TIPS



PROBE SPECIFICATIONS

Minimum Centers: .187 (4.75)
.275 (6.99) for HLF tip style

Current Rating: 5 amps continuous

Spring Force: 8.0, or 16.4 oz.
@ .170 (4.32) travel

Typical Resistance: < 8 mΩ

Maximum Travel: .250 (6.35)

Working Travel: .170 (4.32)

Rated Force oz (g)	Preload oz (g)	Material
8.0 (227)	3.1 (88)	SS
16.4 (465)	2.8 (79)	MW

MATERIALS

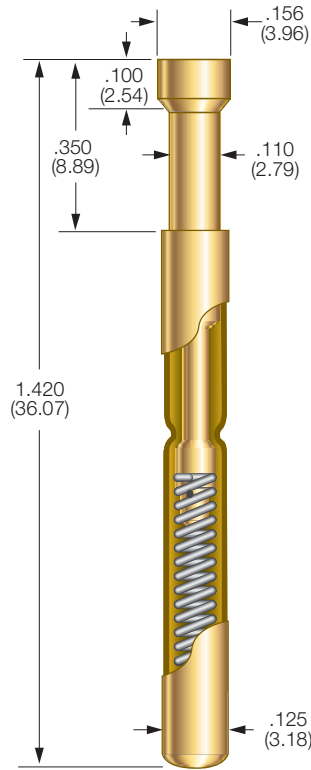
Barrel: Nickel/silver, gold plated

Spring: Music wire or stainless steel

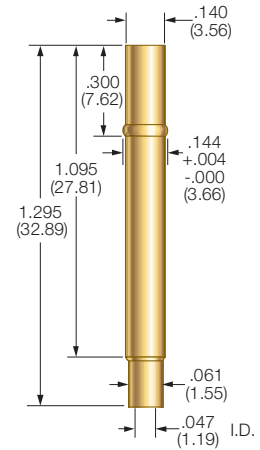
Plunger: Beryllium copper, gold plated over nickel or Duralloy™

Receptacle: Nickel/silver, gold plated, gold plated post

S-5 PROBE



R-5 Receptacle



Drill Size: 3,60mm
Mounting Hole Size: .141/.143 (3.58/3.63)
Recommended Wire: 22-26 gage

RECEPTACLE OPTIONS

Part Number	Style	Receptacle Length	Probe/Receptacle Combined Length	Comments
R-5-CR	Crimp	1.295 (32.89)	1.620 (41.15)	—
R-5-SC	Solder Cup	1.295 (32.89)	1.620 (41.15)	—
R-5-WW-429	Wire Wrap	1.724 (43.79)	2.049 (52.04)	.429 post length - .025 sq.

HOW TO ORDER: SPRING CONTACT PROBE

S	5	A	16.4	G
SERIES	SIZE	TIP STYLE	SPRING FORCE	PLATING OPTIONS

SPRING FORCE:
8.0 oz. @ .170 (4.32) TRAVEL
16.4 oz. @ .170 (4.32) TRAVEL

PLATING OPTIONS:
G: GOLD PLATED PLUNGER
D: DURALLOY™ PLATED PLUNGER

CRIMPING PLIERS: CP5
INSERTION TOOL: RT5

RECEPTACLE

R	5	WW	429
SERIES	SIZE	TERMINATION	POST LENGTH

TERMINATIONS:
CR: CRIMP
SC: SOLDER CUP
WW: WIRE WRAP

POST LENGTH:
WW: 429

VIEW UPDATES OF THIS INFORMATION AT WWW.IDINET.COM

Specifications subject to change without notice. Dimensions in inches (millimeters)