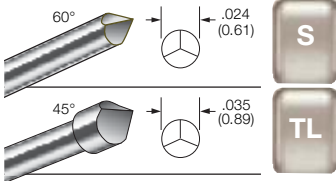


# S-50C Rotator .050 Centers

## BeCu PLUNGER TIPS



## PROBE SPECIFICATIONS

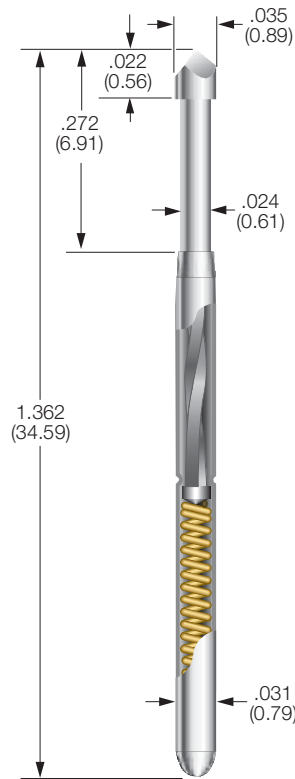
Minimum Centers: .050 (1.27)  
 Current Rating: 3 amps continuous  
 Spring Force: 3.7oz. @ .170 (4.32) travel  
 Typical Resistance: < 25 mΩ  
 Maximum Travel: .250 (6.35)  
 Working Travel: .170 (4.32)  
 Rotates: 85° @ .170 (4.32) travel

Rated Force oz. (g)	Preload oz. (g)
3.7 (105)	1.5 (42)

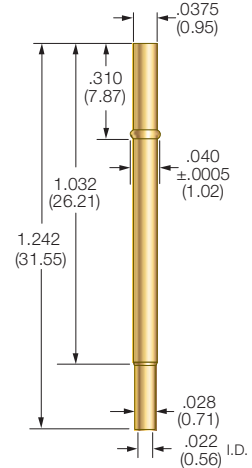
## MATERIALS

Barrel: Nickel/silver, gold lined  
 Spring: Music wire, gold plated  
 Plunger: Beryllium copper, Duralloy™ plated  
 Receptacle: Beryllium copper, preplated gold, gold plated post  
 Plug-In Terminal: Beryllium copper, preplated gold

## S-50C ROTATOR



## R-50C Receptacle



Drill Size: #61  
 Mounting Hole Size: .0385/.0390 (0.98/0.99)  
 Recommended Wire: 28-30 gage

## RECEPTACLE OPTIONS

Part Number	Style	Receptacle Length	Probe/Receptacle Combined Length	Comments
R-50C-CR	Crimp	1.242 (31.55)	1.572 (39.93)	—
R-50C-SC	Solder Cup	1.242 (31.55)	1.572 (39.93)	—
R-50C-WW-016	Wire Wrap	1.492 (37.88)	1.822 (46.28)	.250 post length - .016 sq.
R-50C-WW-025	Wire Wrap	1.542 (39.17)	1.872 (47.55)	.300 post length - .025 sq.
R-50C-DS	DuraSeal®	1.242 (31.55)	1.572 (39.93)	30 gage wire, vacuum sealed *
R-50C-WT	Plug-In Receptacle	1.242 (31.55)	1.572 (39.93)	For use with FP-Plug plug-in terminal
FP-Plug	Plug-In Terminal	—	—	Plugs into R-50C-WT receptacle *

\* Unless otherwise specified, wire length 36", strip length 1", 30 gage Kynar

## HOW TO ORDER: SPRING CONTACT PROBE

<b>S</b>	<b>50C</b>	<b>TL</b>	<b>3.7</b>	<b>RT</b>
SERIES	SIZE	TIP STYLE	SPRING FORCE	ROTATOR

CRIMPING PLIERS: CPR50C  
 INSERTION TOOL: RTR50C

## RECEPTACLE

<b>R</b>	<b>50C</b>	<b>CR</b>
SERIES	SIZE	TERMINATION

TERMINATIONS:  
 CR: CRIMP  
 SC: SOLDER CUP  
 WW-016: WIRE WRAP .016 SQ  
 WW-025: WIRE WRAP .025 SQ

DS: DURASEAL\*  
 WT: PLUG-IN RECEPTACLE \*\*

\* UNLESS OTHERWISE SPECIFIED, WIRE LENGTH 36", STRIP LENGTH 1", 30 GAGE KYNAR. 12" & 36" STANDARD.

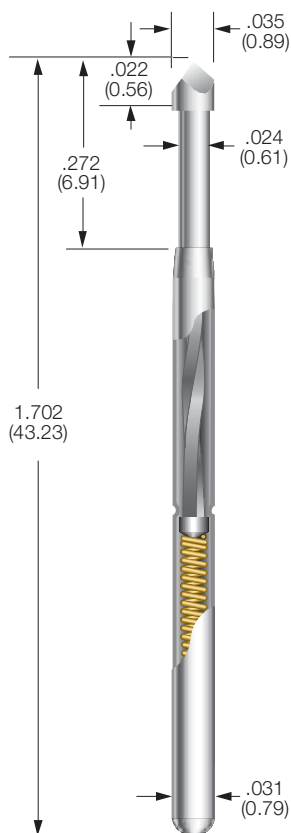
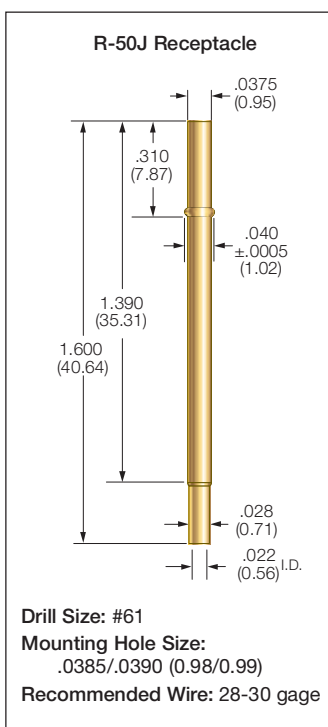
\*\*FOR USE WITH FP-PLUG PLUG-IN TERMINAL. 12" & 36" STANDARD.

VIEW UPDATES OF THIS INFORMATION AT [WWW.IDINET.COM](http://WWW.IDINET.COM)

Specifications subject to change without notice. Dimensions in inches (millimeters)

# .050 Centers S-50J Rotator

## S-50J ROTATOR



## PROBE SPECIFICATIONS

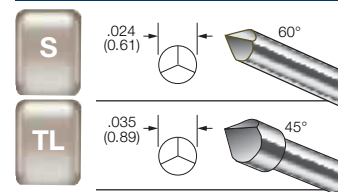
**Minimum Centers:** .050 (1.27)  
**Current Rating:** 3 amps continuous  
**Spring Force:** 3.6, 5.5, 7.0 or 10.0 oz. @ .170 (4.32) travel  
**Typical Resistance:** < 25 mΩ  
**Maximum Travel:** .250 (6.35)  
**Working Travel:** .170 (4.32)  
**Rotates:** 85° @ .170 (4.32) travel

Rated Force	Preload oz. (g)	Material oz. (g)
3.6	(102)	2.0 (57) SS
5.5	(156)	2.9 (82) MW
7.0	(198)	2.6 (74) MW
10.0	(284)	2.6 (74) MW

## MATERIALS

**Barrel:** Nickel/silver, gold lined  
**Spring:** Stainless steel or music wire, gold plated  
**Plunger:** Beryllium copper, Duralloy™ plated  
**Receptacle:** Beryllium copper, preplated gold, gold plated post  
**Plug-In Terminal:** Beryllium copper, gold plated

## BeCu PLUNGER TIPS



## RECEPTACLE OPTIONS

Part Number	Style	Receptacle Length	Probe/Receptacle Combined Length	Comments
R-50J-CR	Crimp	1.600 (40.64)	1.912 (48.56)	—
R-50J-SC	Solder Cup	1.600 (40.64)	1.912 (48.56)	—
R-50J-WW-016	Wire Wrap	1.850 (46.99)	2.162 (54.91)	.250 post length - .016 sq.
R-50J-WW-025	Wire Wrap	1.900 (48.26)	2.212 (56.18)	.300 post length - .025 sq.
R-50J-DS	DuraSeal®	1.600 (40.64)	1.912 (48.56)	30 gage wire, vacuum sealed*
R-50J-WT	Plug-In Receptacle	1.600 (40.64)	1.912 (48.56)	For use with FP-Plug plug-in terminal
FP-Plug	Plug-In Terminal	—	—	Plugs into R-50J-WT receptacle*

\* Unless otherwise specified, wire length 36", strip length 1", 30 gage Kynar

## HOW TO ORDER: SPRING CONTACT PROBE

**S** **50J** **TL** **3.6** **RT**

SERIES SIZE TIP STYLE SPRING FORCE ROTATOR

**SPRING FORCE:**  
 3.6 oz. @ .170 (4.32) TRAVEL  
 5.5 oz. @ .170 (4.32) TRAVEL  
 7.0 oz. @ .170 (4.32) TRAVEL  
 10.0 oz. @ .170 (4.32) TRAVEL

**CRIMPING PLIERS:** CPR50J  
**INSERTION TOOL:** RTR50J

## RECEPTACLE

**R** **50J** **CR**

SERIES SIZE TERMINATION

**TERMINATIONS:**  
**CR:** CRIMP  
**SC:** SOLDER CUP  
**WW-016:** WIRE WRAP .016 SQ  
**WW-025:** WIRE WRAP .025 SQ

**DS:** DURASEAL\*  
**WT:** PLUG-IN RECEPTACLE\*\*

\* UNLESS OTHERWISE SPECIFIED, WIRE LENGTH 36", STRIP LENGTH 1", 30 GAGE KYNAR. 12" & 36" STANDARD.

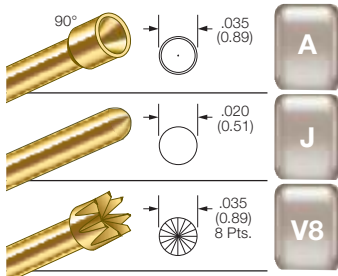
\*\*FOR USE WITH FP-PLUG PLUG-IN TERMINAL. 12" & 36" STANDARD.

VIEW UPDATES OF THIS INFORMATION AT [WWW.IDINET.COM](http://WWW.IDINET.COM)

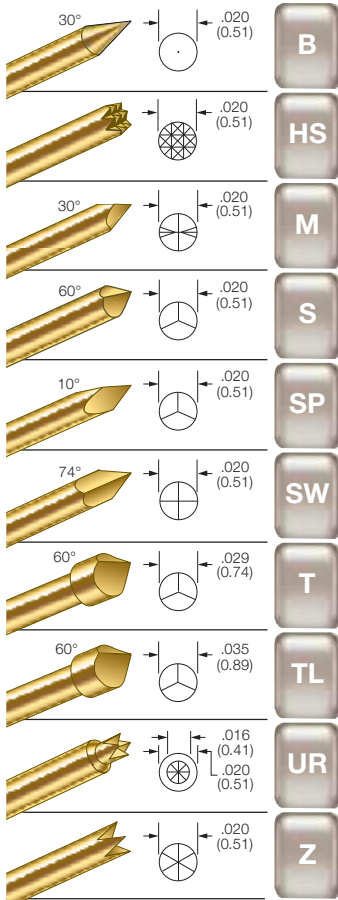
Specifications subject to change without notice. Dimensions in inches (millimeters)

# ICT-50J and S-50J Size 50J - .050 Centers

## BEcu PLUNGER TIPS



## STEEL PLUNGER TIPS



## PROBE SPECIFICATIONS

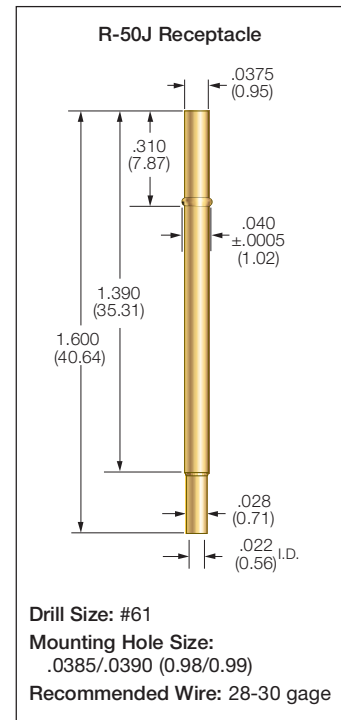
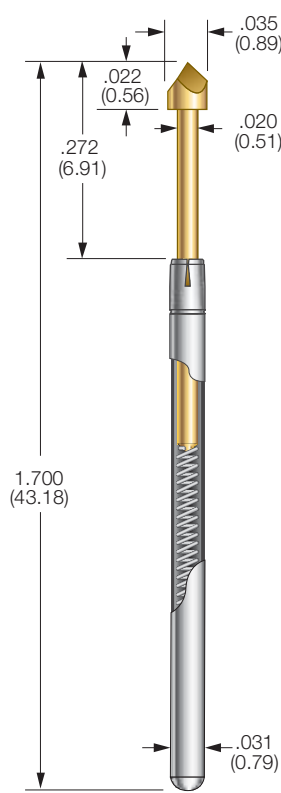
**Minimum Centers:** .050 (1.27)  
**Current Rating:** 3 amps continuous  
**Spring Force:** 4.0, 5.6, 7.0 or 10.0 oz. @ .170 (4.32) travel  
**Typical Resistance:**  
 < 20 mΩ for ICT-50J  
 < 25 mΩ for S-50J  
**Maximum Travel:** .250 (6.35)  
**Working Travel:** .170 (4.32)

Rated Force oz. (g)	Preload oz. (g)	Material
4.0 (113)	1.8 (51)	SS
5.6 (159)	2.5 (71)	SS
7.0 (198)	3.1 (88)	MW
10.0 (283)	4.6 (130)	MW

## MATERIALS

**Barrel:** Nickel/silver, gold lined  
**Spring:** Music wire, nickel plated or stainless steel  
**Plunger:** Beryllium copper or steel, gold plated over nickel  
**Receptacle:** Beryllium copper, preplated gold, gold plated post  
**Terminal:** Beryllium copper, preplated gold

## ICT-50J/S-50J PROBE



## RECEPTACLE OPTIONS

Part Number	Style	Receptacle Length	Probe/Receptacle Combined Length	Comments
R-50J-CR	Crimp	1.600 (40.64)	1.910 (48.51)	—
R-50J-SC	Solder Cup	1.600 (40.64)	1.910 (48.51)	—
R-50J-WW-016	Wire Wrap	1.850 (46.99)	2.160 (54.86)	.250 post length - .016 sq.
R-50J-WW-025	Wire Wrap	1.900 (48.26)	2.210 (56.13)	.300 post length - .025 sq.
R-50J-DS	Duraseal®	1.600 (40.64)	1.910 (48.51)	30 gage wire, vacuum sealed*
R-50J-WT	Plug-In Receptacle	1.600 (40.64)	1.910 (48.51)	For use with FP-Plug plug-in terminal
FP-Plug	Plug-In Terminal	—	—	Plugs into R-50J-WT receptacle *

\* Unless otherwise specified, wire length 36", strip length 1", 30 gage Kynar

## HOW TO ORDER: SPRING CONTACT PROBE

<b>ICT</b>	<b>50J</b>	<b>T</b>	<b>5.6</b>	<b>DG</b>	<b>S</b>
SERIES	SIZE	TIP STYLE	SPRING FORCE	PLATING OPTIONS	STEEL PLUNGER OPTION

**SERIES:**  
 ICT: HIGH PERFORMANCE  
 S: STANDARD PERFORMANCE,  
 (NO BIFURCATED BEAM)

**SPRING FORCE:**  
 4.0 oz. @ .170 (4.32) TRAVEL  
 5.6 oz. @ .170 (4.32) TRAVEL  
 7.0 oz. @ .170 (4.32) TRAVEL  
 10.0 oz. @ .170 (4.32) TRAVEL

**CRIMPING PLIERS:** CPR50J  
**INSERTION TOOL:** RTR50J

## RECEPTACLE

<b>R</b>	<b>50J</b>	<b>CR</b>
SERIES	SIZE	TERMINATION

**TERMINATIONS:**  
 CR: CRIMP  
 SC: SOLDER CUP  
 WW-016: WIRE WRAP .016 SQ  
 WW-025: WIRE WRAP .025 SQ

**DS: DURASEAL\***  
**WT: PLUG-IN RECEPTACLE\*\***

\* UNLESS OTHERWISE SPECIFIED, WIRE LENGTH 36", STRIP LENGTH 1", 30 GAGE KYMAR. 12" & 36" STANDARD.

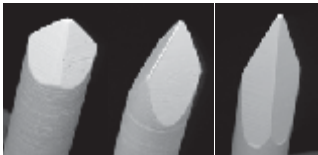
\*\* FOR USE WITH FP-PLUG PLUG-IN TERMINAL. 12" & 36" STANDARD.

VIEW UPDATES OF THIS INFORMATION AT [WWW.IDINET.COM](http://WWW.IDINET.COM)

Specifications subject to change without notice. Dimensions in inches (millimeters)

## OPTIMIZED TIP GEOMETRY FOR LEAD FREE TESTING

IDI has invested significantly in the discovery of the ideal tip for lead-free applications. IDI's research and testing laboratory, the industry's most advanced, developed a special test system which permitted IDI to compare the performance of various tip styles when cycled against matte tin, the most aggressive test contact material in terms of contamination and rapid tip wear. Through this process, the obtuse blade ('LF') tip showed itself to be by far the most reliable—its rugged shape retains its integrity far longer than more acute designs.

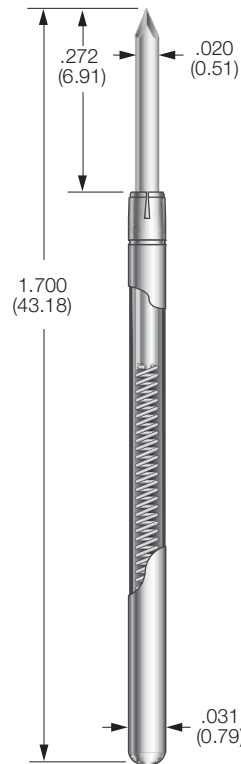


Obtuse blade      15° 3-sided chisel      Acute dagger

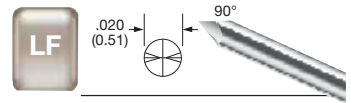
IDI's unique Duralloy™ plating provides a clear advantage over competitors. Duralloy is noble and is exceptionally resistant to corrosion and oxidation. It remains bright and untarnished in atmospheric exposure. Duralloy is extremely smooth when plated and does not develop microcracks. It is very thick and completely nonporous. This surface greatly contributes to Duralloy's ability to resist corrosion and limit wear. Duralloy is slightly more resistive than gold, and is not recommended for extremely sensitive measurements.

## LEAD FREE TEST PROBE

### ICT-50J-LF PROBE



## STEEL PLUNGER TIP



## PROBE SPECIFICATIONS

**Minimum Centers:** .050 (1.27)  
**Current Rating:** 3 amps continuous  
**Spring Force:** 7.0 oz. @ .170 (4.32) travel  
**Typical Resistance:** < 60 mΩ against a lead free surface  
**Maximum Travel:** .250 (6.35)  
**Working Travel:** .170 (4.32)

## MATERIALS

**Barrel:** Nickel/silver, gold lined  
**Spring:** Music wire, nickel plated  
**Plunger:** Steel, Duralloy™ plated

## HOW TO ORDER

<b>ICT</b>	<b>50J</b>	<b>LF</b>	<b>7</b>	<b>DGD</b>	<b>S</b>
SERIES	SIZE	TIP STYLE	SPRING FORCE	PLATING OPTIONS	STEEL PLUNGER

Specifications subject to change without notice. Dimensions in inches (millimeters)