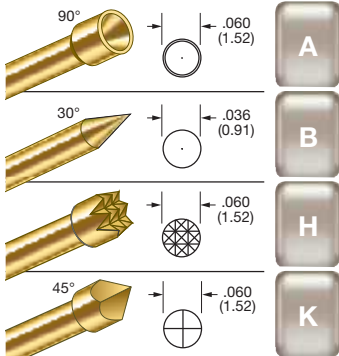
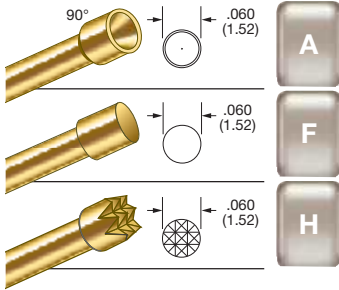


# SH-100 and SHE-100 .100 CENTERS

## SHE-100 PLUNGER TIPS



## SH-100 PLUNGER TIPS



## PROBE SPECIFICATIONS

Minimum Centers: .100 (2.54)

Current Rating:

SHE-100: 8 amps continuous  
SH-100: 15 amps continuous  
(Individual probe in free air @ ambient temperature)

Spring Force:

4.0 oz. or 6.7 oz. @ .170 (4.32) travel

Maximum Travel: .250 (6.35)

Working Travel: .170 (4.32)

Rated Force oz. (g)	Preload oz. (g)
4.0* (113)	1.6 (45)
6.7 (190)	2.4 (68)

\* SH-100 only

## MATERIALS

Barrel: High performance copper alloy, gold plated

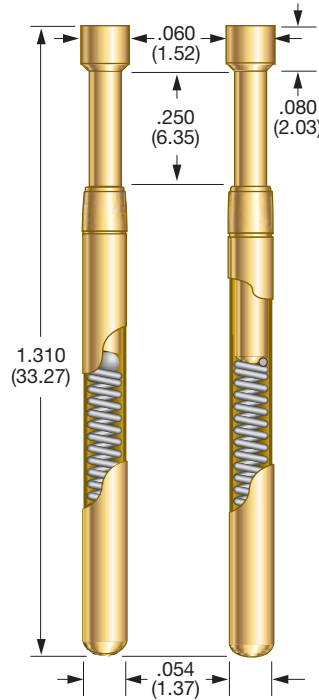
Spring: Stainless steel

Plunger: Beryllium copper, gold plated

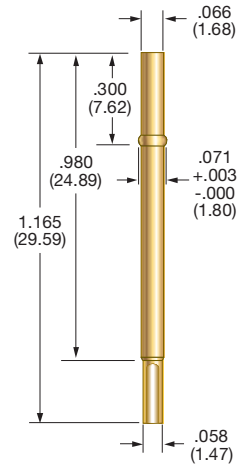
Ball: SH probe: Stainless steel

Receptacle: Copper alloy, gold plated

## SH-100 SHE-100



## RH-100 Receptacle

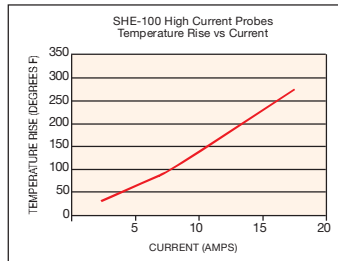
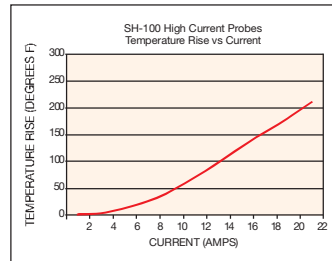


Drill Size: #50

Mounting Hole Size: .068/.070 (1.73/1.78)

Recommended Wire: 22-26 gage

## .100 CENTER HIGH CURRENT PROBES



ID1 current ratings are defined as the maximum current at which the temperature rise of the probe does not exceed 144°F (80°C) for a single probe in free air at ambient temperature for one hour.

## RECEPTACLE OPTIONS

Part Number	Style	Receptacle Length	Probe/Receptacle Combined Length	Comments
RH-100-SC	Solder Cup	1.165 (29.59)	1.495 (37.97)	—
RH-100-WW-429	Wire Wrap	1.594 (40.49)	1.924 (48.87)	.429 post length - .025 sq.

## HOW TO ORDER: SPRING CONTACT PROBE

<b>SHE</b>	<b>100</b>	<b>A</b>	<b>6.7</b>	<b>G</b>
SERIES	SIZE	TIP STYLE	SPRING FORCE	PLATING OPTIONS
SERIES: SHE: 8 AMPS SH: 15 AMPS			SPRING FORCE: 4.0* oz. @ .170 (4.32) TRAVEL 6.7 oz. @ .170 (4.32) TRAVEL	

\* SH-100 ONLY

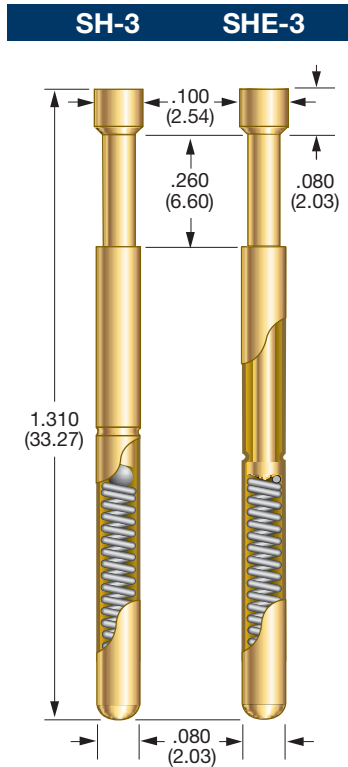
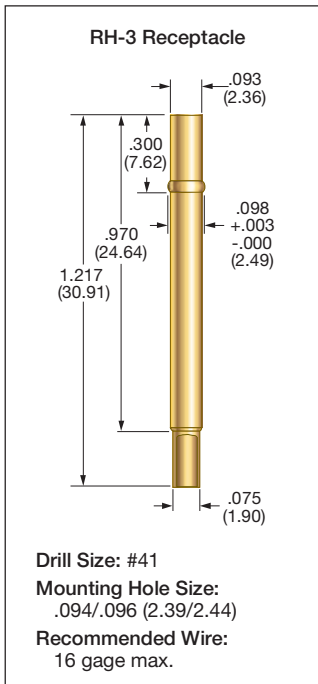
## RECEPTACLE

<b>RH</b>	<b>100</b>	<b>WW</b>	<b>429</b>
SERIES	SIZE	TERMINATION	POST LENGTH
TERMINATIONS: SC: SOLDER CUP WW: WIRE WRAP			POST LENGTH WW: 429

VIEW UPDATES OF THIS INFORMATION AT [WWW.IDINET.COM](http://WWW.IDINET.COM)

Specifications subject to change without notice. Dimensions in inches (millimeters)

# .125 CENTERS SH-3 and SHE-3



## PROBE SPECIFICATIONS

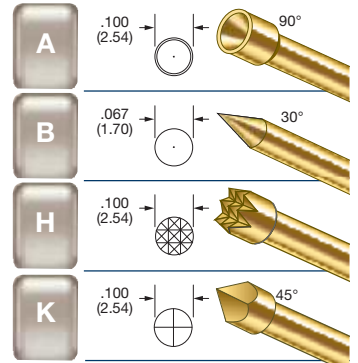
Minimum Centers: .125 (3.18)  
 Current Rating:  
 SHE-3: 14 amps continuous  
 SH-3: 27 amps continuous  
 (Individual probe in free air @ ambient temperature)  
 Spring Force: 7.0 oz. @ .170 (4.32) travel  
 Maximum Travel: .250 (6.35)  
 Working Travel: .170 (4.32)

Rated Force oz. (g)	Preload oz. (g)
7.0 (199)	2.9 (82)

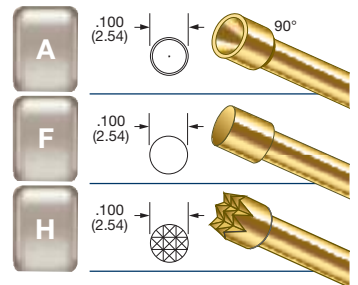
## MATERIALS

Barrel: High performance copper alloy, gold plated  
 Spring: Stainless steel  
 Plunger: Beryllium copper, gold plated  
 Ball: SH probe: Stainless steel  
 Receptacle: Copper alloy, gold plated

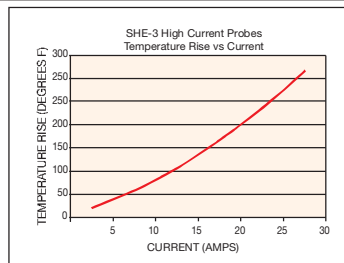
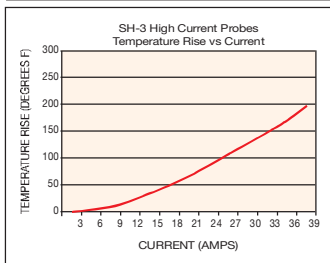
## SHE-3 PLUNGER TIPS



## SH-3 PLUNGER TIPS



## .125 CENTER HIGH CURRENT PROBES



IDI current ratings are defined as the maximum current at which the temperature rise of the probe does not exceed 144°F (80°C) for a single probe in free air at ambient temperature for one hour.

## RECEPTACLE OPTIONS

Part Number	Style	Receptacle Length	Probe/Receptacle Combined Length	Comments
RH-3-SC	Solder Cup	1.217 (30.91)	1.539 (39.09)	—

## HOW TO ORDER: SPRING CONTACT PROBE

**SHE**   **3**   **A**   **7**   **G**

SERIES   SIZE   TIP STYLE   SPRING FORCE   PLATING OPTIONS

SERIES:  
 SHE: 14 AMPS  
 SH: 27 AMPS

## RECEPTACLE

**RH**   **3**   **SC**

SERIES   SIZE   TERMINATION

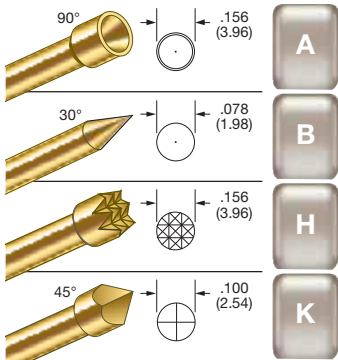
TERMINATIONS:  
 SC: SOLDER CUP

VIEW UPDATES OF THIS INFORMATION AT [WWW.IDINET.COM](http://WWW.IDINET.COM)

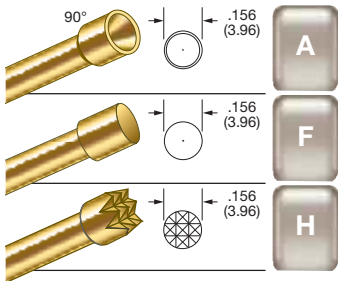
Specifications subject to change without notice. Dimensions in inches (millimeters)

# SH-4 and SHE-4 .156 AND .187 CENTERS

## SHE-4 PLUNGER TIPS



## SH-4 PLUNGER TIPS



## PROBE SPECIFICATIONS

**Minimum Centers:**  
 .156 (3.96) tips B, K  
 .187 (4.75) tips A, F, H

**Current Rating:**  
 SHE-4: 21 amps continuous  
 SH-4: 32 amps continuous  
 (Individual probe in free air @ ambient temperature)

**Spring Force:**  
 10.0 oz. @ .170 (4.32) travel

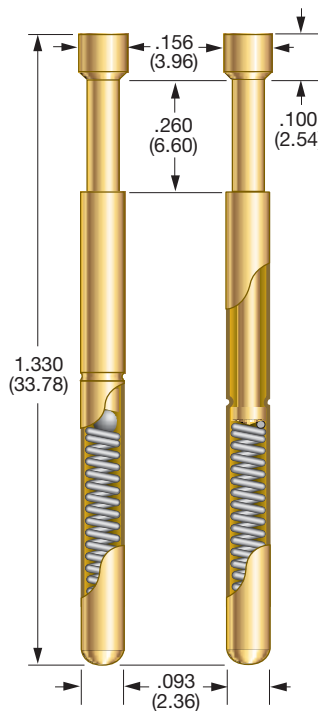
**Maximum Travel:** .250 (6.35)  
**Working Travel:** .170 (4.32)

Rated Force oz. (g)	Preload oz. (g)
10.0 (283)	4.0 (115)

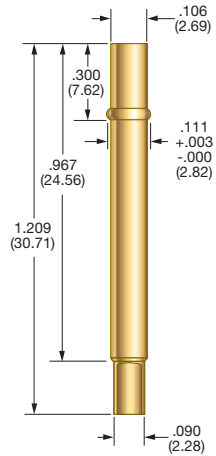
## MATERIALS

**Barrel:** High performance copper alloy, gold plated  
**Spring:** Stainless steel  
**Plunger:** Beryllium copper, gold plated  
**Ball:** SH probe: Stainless steel  
**Receptacle:** Copper alloy, gold plated

## SH-4 SHE-4

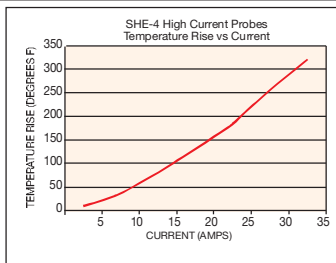
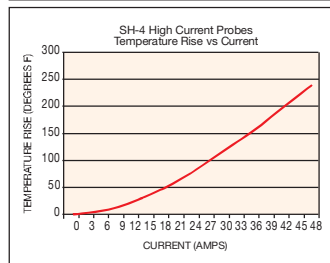


## RH-4 Receptacle



**Drill Size:** #35  
**Mounting Hole Size:** .108/.100 (2.74/2.79)  
**Recommended Wire:** 16 gage max.

## .156 AND .187 CENTER HIGH CURRENT PROBES



IDI current ratings are defined as the maximum current at which the temperature rise of the probe does not exceed 144°F (80°C) for a single probe in free air at ambient temperature for one hour.

## RECEPTACLE OPTIONS

Part Number	Style	Receptacle Length	Probe/Receptacle Combined Length	Comments
RH-4-SC	Solder Cup	1.209 (30.71)	1.539 (39.09)	—

## HOW TO ORDER: SPRING CONTACT PROBE

## RECEPTACLE

**SHE**  
SERIES

**4**  
SIZE

**A**  
TIP STYLE

**10**  
SPRING FORCE

**G**  
PLATING OPTIONS

**RH**  
SERIES

**4**  
SIZE

**SC**  
TERMINATION

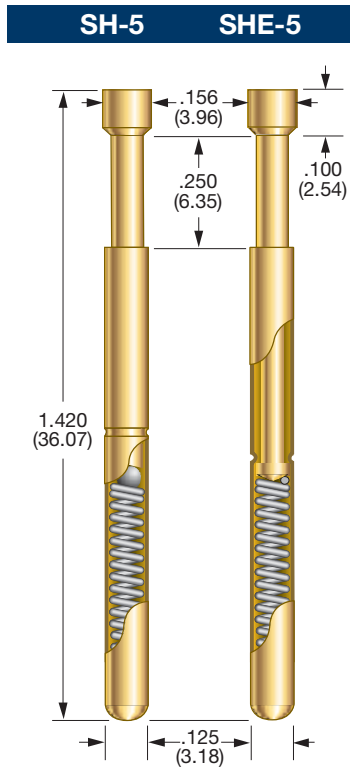
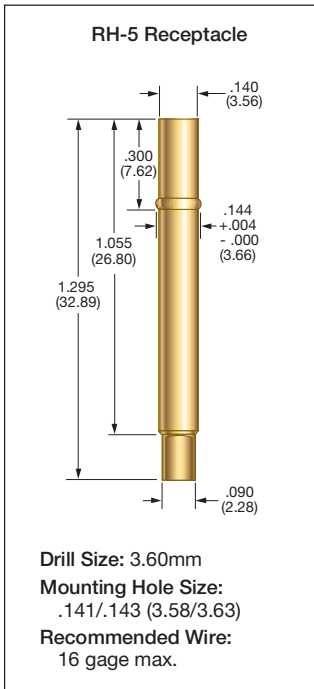
SERIES:  
SHE: 21 AMPS  
SH: 32 AMPS

TERMINATIONS:  
SC: SOLDER CUP

VIEW UPDATES OF THIS INFORMATION AT [WWW.IDINET.COM](http://WWW.IDINET.COM)

Specifications subject to change without notice. Dimensions in inches (millimeters)

# .187 CENTERS SH-5 and SHE-5



## PROBE SPECIFICATIONS

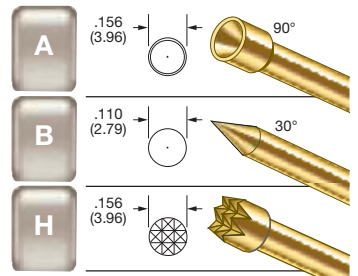
Minimum Centers: .187 (4.75)  
 Current Rating:  
 SHE-5: 23 amps continuous  
 SH-5: 39 amps continuous  
 (Individual probe in free air @ ambient temperature)  
 Spring Force: 18.7 oz. @ .170 (4.32) travel  
 Maximum Travel: .250 (6.35)  
 Working Travel: .170 (4.32)

Rated Force oz. (g)	Preload oz. (g)
18.7 (531)	7.2 (204)

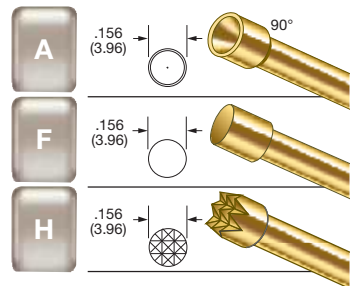
## MATERIALS

Barrel: High performance copper alloy, gold plated  
 Spring: Stainless steel  
 Plunger: Beryllium copper, gold plated  
 Ball: SH probe: Stainless steel  
 Receptacle: Copper alloy, gold plated

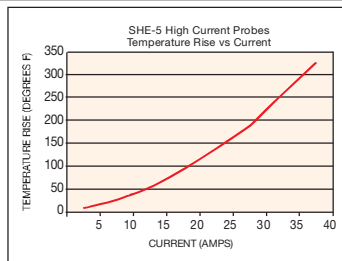
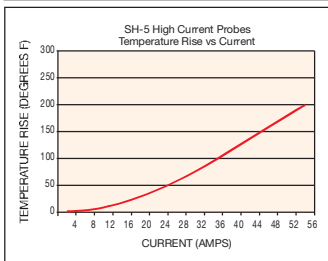
## SHE-5 PLUNGER TIPS



## SH-5 PLUNGER TIPS



## .187 CENTER HIGH CURRENT PROBES



IDT current ratings are defined as the maximum current at which the temperature rise of the probe does not exceed 144°F (80°C) for a single probe in free air at ambient temperature for one hour.

## RECEPTACLE OPTIONS

Part Number	Style	Receptacle Length	Probe/Receptacle Combined Length	Comments
RH-5-SC	Solder Cup	1.295 (32.89)	1.620 (41.15)	—

## HOW TO ORDER: SPRING CONTACT PROBE

**SHE** **5** **A** **18.7** **G**

SERIES SIZE TIP STYLE SPRING FORCE PLATING OPTIONS

SERIES:  
 SHE: 23 AMPS  
 SH: 39 AMPS

## RECEPTACLE

**RH** **5** **SC**

SERIES SIZE TERMINATION

TERMINATIONS:  
 SC: SOLDER CUP

VIEW UPDATES OF THIS INFORMATION AT [WWW.IDINET.COM](http://WWW.IDINET.COM)

Specifications subject to change without notice. Dimensions in inches (millimeters)