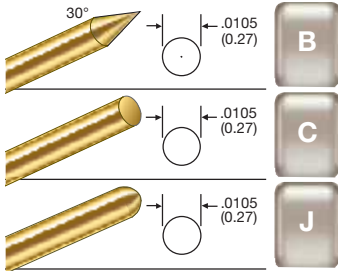
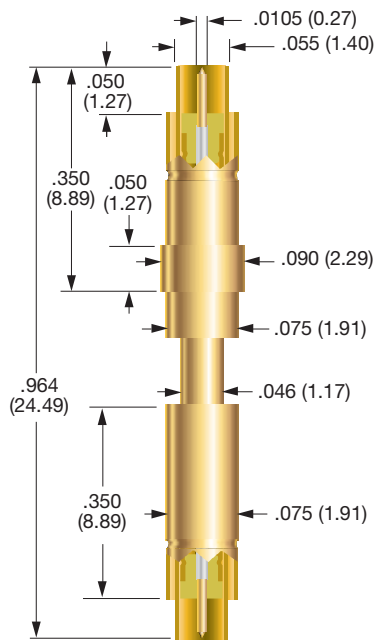


Coax Probes DOUBLE ENDED

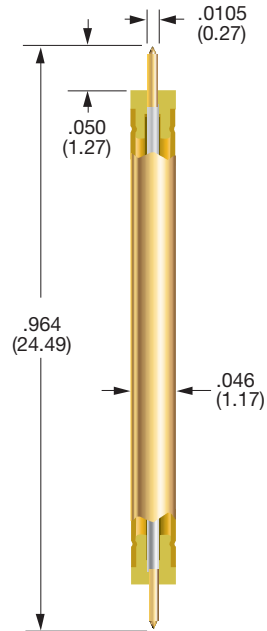
SIGNAL PLUNGERS



100546



100547



PROBE SPECIFICATIONS

Minimum Centers: .100 (2.54)
Current Rating: 0.5 amps continuous
Spring Force:
 Signal Conductor:
 1.1 oz. @ .023 (0.58) travel, each end
 Shielding Plunger:
 2.2 oz. @ .023 (0.58) travel, each end
Nominal Impedance: 50 Ω
Maximum Travel: .050 (1.27), each end
Working Travel: .023 (0.58), each end

MATERIALS

Barrel: Brass, gold plated
Spring: Music wire, gold plated
Isolation Plug: Torlon
Dielectric Insulator: Air
Shielding Tube: Stainless steel, gold plated
Signal Conductor: Special Quad-0 probe

HOW TO ORDER

100546	B	B	F
BASE PART NUMBER	TOP SIGNAL PROBE TIP	BOTTOM SIGNAL PROBE TIP	MOUNTING FLANGE

PROBE SPECIFICATIONS

Minimum Centers: .070 (1.78)
Current Rating: 0.5 amps continuous
Spring Force:
 Signal Conductor:
 1.1 oz. @ .023 (0.58) travel, each end
Nominal Impedance: 50 Ω
Maximum Travel: .050 (1.27), each end
Working Travel: .023 (0.58), each end

MATERIALS

Spring: Music wire, gold plated
Isolation Plug: Torlon
Dielectric Insulator: Air
Shielding Tube: Stainless steel, gold plated
Signal Conductor: Special Quad-0 probe

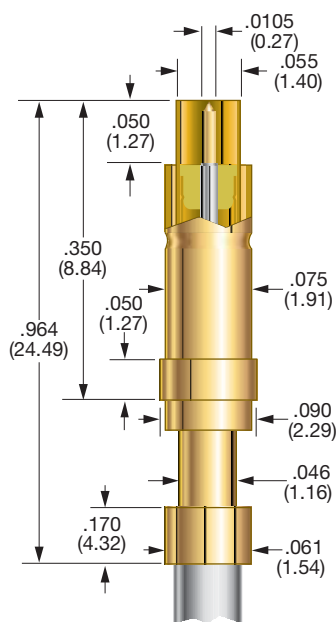
HOW TO ORDER

100547	B	B
BASE PART NUMBER	TOP SIGNAL PROBE TIP	BOTTOM SIGNAL PROBE TIP

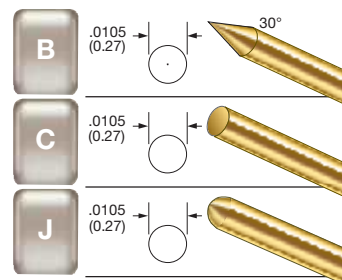
Specifications subject to change without notice. Dimensions in inches (millimeters)

ATTACHED CABLE Coax Probe

100780



SIGNAL PLUNGER TIPS



PROBE SPECIFICATIONS

- Minimum Centers: .100 (2.54)
- Current Rating: 0.5 amps continuous
- Spring Force:
 - Signal Conductor: 1.1 oz. @ .045 (1.14) travel
 - Shielding Plunger: 2.2 oz. @ .023 (0.58) travel
- Nominal Impedance: 50 Ω
- Maximum Travel: .050 (1.27)
- Working Travel: .023 (0.58)

MATERIALS

- Barrel: Brass, gold plated
- Shielding Plunger: Beryllium copper, gold plated
- Springs:
 - Signal Conductor: Music wire, gold plated
 - Shielding Plunger: Music wire, gold plated
- Isolation Plug: Teflon
- Dielectric Insulator: Air
- Shielding Tube: Stainless steel, gold plated
- Signal Conductor: Special Quad 0 probe
- Coaxial Cable: Semi-rigid cable

HOW TO ORDER

BASE PART NUMBER	SIGNAL PROBE TIP	MOUNTING FLANGE	CABLE LENGTH	TERMINATION
100780	B	F	12	AM
			CABLE LENGTH:	AM: SMA MALE
			12 - 12 INCHES	AF: SMA FEMALE
			36 - 36 INCHES	NC: NO CONNECTOR

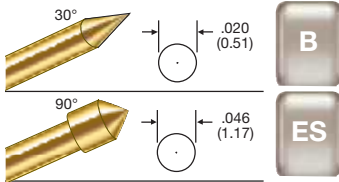
* WHEN ORDERING WITH A PREATTACHED CONNECTOR, PLEASE NOTE THAT THE CONNECTOR WILL NOT FIT THROUGH THE PROBE MOUNTING HOLE. THE PROBE MUST BE INSERTED FROM THE BOTTOM SIDE OF THE MOUNTING PLATE.

CONSULT IDI FOR MORE INFORMATION.

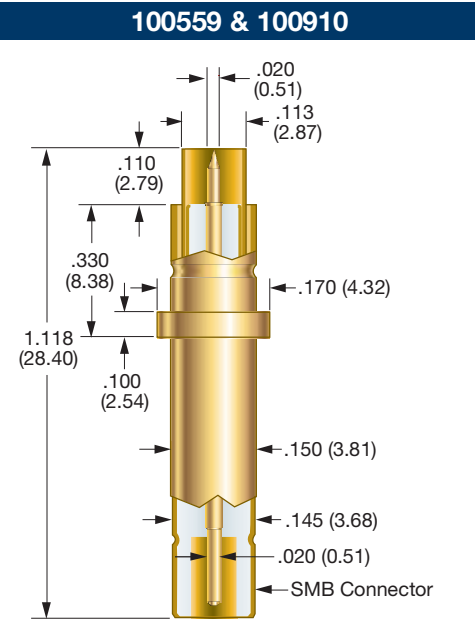
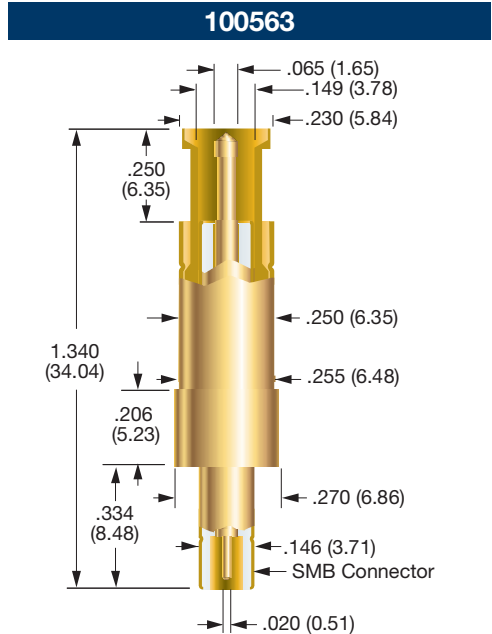
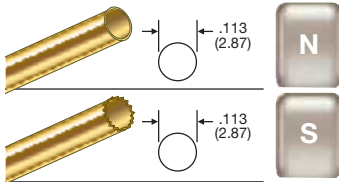
Specifications subject to change without notice. Dimensions in inches (millimeters)

Coax Probes SMB CONNECTOR

100559 & 100910 SIGNAL PLUNGERS



100559 & 100910 SHIELDING PLUNGERS



PROBE SPECIFICATIONS

Minimum Centers: .300 (7.62)
 Current Rating: 3 amps continuous
 Spring Force:
 Signal Conductor:
 2.3 oz. @ .107 (2.72) travel
 Shielding Plunger:
 5.8 oz. @ .107 (2.72) travel
 Nominal Impedance: 50 Ω
 Maximum Travel: .170 (4.32)
 Working Travel: .107 (2.72)

MATERIALS

Barrel: Brass, gold plated
 Spring:
 Signal Conductor:
 Beryllium copper, gold plated
 Shielding Plunger:
 Stainless steel, gold plated
 Shielding Plunger: Brass, gold plated
 Dielectric Insulator: Teflon
 Shielding Tube: Stainless steel, gold plated
 Signal Conductor: 100954

PROBE SPECIFICATIONS

Minimum Centers: .300 (7.62)
 Current Rating: 3 amps continuous
 Spring Force:
 Signal Conductor:
 1.6 oz. @ .070 (1.78) travel: tip B
 2.0 oz. @ .070 (1.78) travel: tip ES
 Shielding Plunger:
 4.3 oz. @ .070 (1.78) travel
 Nominal Impedance: 50 Ω
 Maximum Travel:
 .090 (2.29) for tip B
 .075 (1.91) for tip ES
 Working Travel: .070 (1.78)

MATERIALS

Barrel: Brass, gold plated
 Spring:
 Signal Conductor:
 Beryllium copper, gold plated
 Shielding Plunger:
 Stainless steel, gold plated
 Shielding Plunger:
 Beryllium copper, gold plated
 Dielectric Insulator: Teflon
 Shielding Tube: Brass, gold plated
 Signal Conductor: Series S, Size 00

HOW TO ORDER

100563	E
BASE PART NUMBER	SIGNAL PROBE TIP

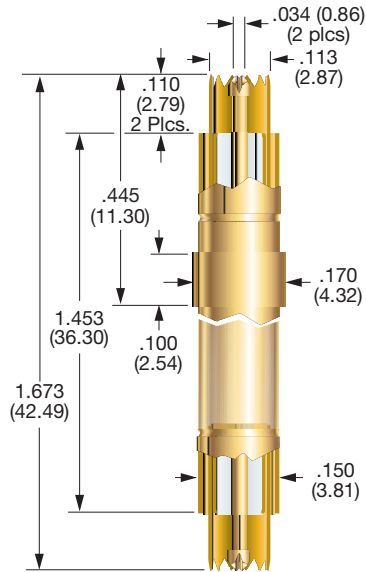
HOW TO ORDER

100559	B	S
BASE PART NUMBER	SIGNAL PROBE TIP	SHIELDING PLUNGER
100559 WITHOUT FLANGE		S: SERRATED
100910 WITH FLANGE		N: FLAT

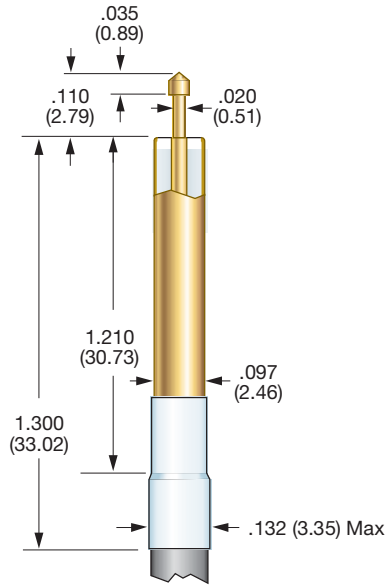
Specifications subject to change without notice. Dimensions in inches (millimeters)

DOUBLE ENDED & ATTACHED CABLE Coax Probe

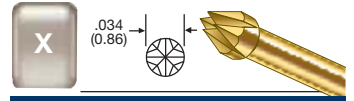
101097



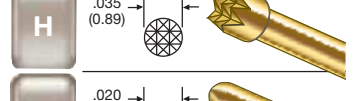
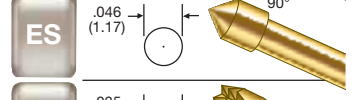
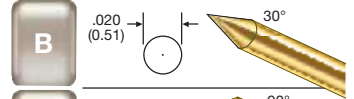
100526



101097 SIGNAL TIP



100526 SIGNAL TIPS



PROBE SPECIFICATIONS

Minimum Centers: .200 (5.08)
 Current Rating: 3 amps continuous
 Spring Force:
 Signal Conductor:
 1.6 oz. @ .037 (0.94) travel, each end
 Shielding Plunger:
 3.4 oz. @ .037 (0.94) travel, each end
 Nominal Impedance: 50 Ω
 Maximum Travel: .075 (1.91) each end
 Working Travel: .037 (0.94) each end

PROBE SPECIFICATIONS

Minimum Centers: .150 (3.18)
 Current Rating: 3 amps continuous
 Spring Force:
 Signal Conductor:
 1.6 oz. @ .070 (1.78) travel: tips B, J, U
 2.0 oz. @ .070 (1.78) travel: tips ES, H
 Nominal Impedance: 50 Ω
 Maximum Travel:
 .090 (2.29) for tips B, J, & U
 .075 (1.91) for tips ES, & H
 Working Travel: .070 (1.78)

MATERIALS

Barrel: Brass, gold plated
 Spring: Stainless steel, gold plated
 Shielding Plunger: Beryllium copper, gold plated
 Dielectric Insulator: Teflon
 Shielding Tube: Brass, gold plated
 Signal Conductor: 100617-000 probe

MATERIALS

Spring: Beryllium copper, gold plated
 Dielectric Insulator: Teflon
 Shielding Tube: Brass, gold plated
 Signal Conductor: Series S, Size 00 probe
 Coaxial Cable: RG 316

HOW TO ORDER

101097	X	X
BASE PART NUMBER	TOP SIGNAL PROBE TIP	BOTTOM SIGNAL PROBE TIP

HOW TO ORDER

100526	ES	12	AM
BASE PART NUMBER	SIGNAL PROBE TIP	CABLE LENGTH	TERMINATION
CABLE LENGTH: 12 - 12 INCHES 36 - 36 INCHES		NC: No CONNECTOR AM: SMA MALE AF: SMA FEMALE	

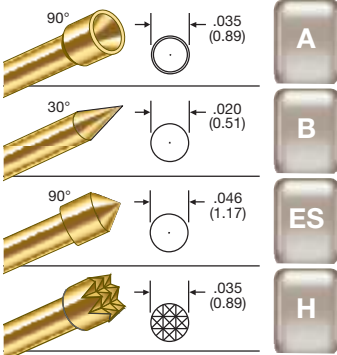
* WHEN ORDERING WITH A PREATTACHED CONNECTOR, PLEASE NOTE THAT THE CONNECTOR WILL NOT FIT THROUGH THE PROBE MOUNTING HOLE. THE PROBE MUST BE INSERTED FROM THE BOTTOM SIDE OF THE MOUNTING PLATE.

CONSULT IDI FOR MORE INFORMATION.

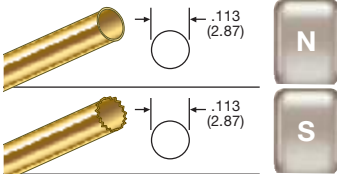
Specifications subject to change without notice. Dimensions in inches (millimeters)

Coax Probes ATTACHED CABLE

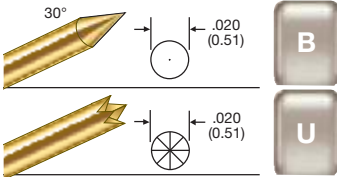
100445 & 100746 SIGNAL PLUNGERS



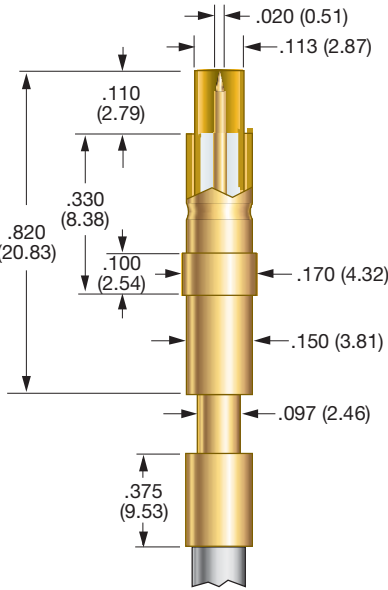
100445 & 100746 SHIELDING PLUNGERS



100999 PLUNGERS TIPS



100445/100746



PROBE SPECIFICATIONS

Minimum Centers: .200 (5.08)
Current Rating: 3 amps continuous
Spring Force: Signal Conductor:
 B Tip: 1.6 oz. @ .070 (1.78) travel
 A, ES, H Tips: 2.0 oz. @ .070 (1.78) travel
 Shielding Plunger: 4.3 oz. @ .070 (1.78) travel
Nominal Impedance: 50 Ω
Maximum Travel:
 .090 (2.29) for tip B
 .075 (1.91) for tips A, ES, H
Working Travel: .070 (1.78)

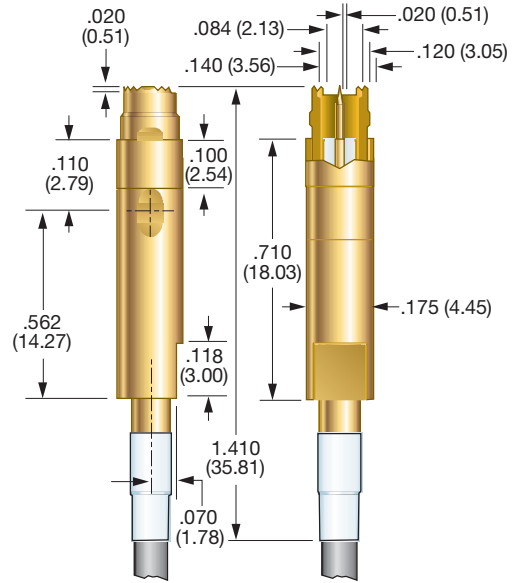
MATERIALS

Barrel: Brass, gold plated
Spring:
 Signal Conductor: Beryllium copper, gold plated
 Shielding Plunger: Stainless steel, gold plated
Shielding Plunger: Beryllium copper, gold plated
Dielectric Insulator: Teflon
Shielding Tube: Stainless steel, gold plated
Signal Conductor: Series S, Size 00 probe
Crimp Ferrule: Brass, gold plated
Coaxial Cable: 100445: RG 174U
 100746: RG 316

HOW TO ORDER

100445	B	F	N	12	AM
BASE PART NUMBER	SIGNAL PROBE TIP	MOUNTING FLANGE	SHIELDING PLUNGER	CABLE LENGTH	CABLE TERMINATION
			N: WITHOUT FLANGE F: WITH FLANGE		
SHIELDING PLUNGER:		CABLE LENGTH:		AM: SMA MALE	
S: SERRATED		12 - 12 INCHES		AF: SMA FEMALE	
N: FLAT		36 - 36 INCHES		NC: NO CONNECTOR	

100999



PROBE SPECIFICATIONS

Minimum Centers: .200 (5.08)
Current Rating: 3 amps continuous
Spring Force: Signal Conductor:
 B Tip: 1.6 oz. @ .070 (1.78) travel
 U Tip: 3.3 oz. @ .070 (1.78) travel
 Shielding Plunger: 4.5 oz. @ .070 (1.78) travel
Nominal Impedance: 50 Ω
Maximum Travel: .090 (2.29)
Working Travel: .070 (1.78)

MATERIALS

Barrel: Brass, gold plated
Spring:
 Signal Conductor: Beryllium copper, gold plated
 Shielding Plunger: Stainless steel, gold plated
Shielding Plunger: Beryllium copper, gold plated
Dielectric Insulator: Teflon
Shielding Tube: Brass, gold plated
Signal Conductor: Series S, Size 00 probe
Coaxial Cable: Semi-flex or flex cable

HOW TO ORDER

100999	B	12	AM	F
BASE PART NUMBER	SIGNAL PROBE TIP	CABLE LENGTH	TERMINATION	CABLE TYPE
CABLE LENGTH:		AM: SMA MALE		F: FLEX
12 - 12 INCHES		AF: SMA FEMALE		S: SEMI-FLEX
36 - 36 INCHES		NC: NO CONNECTOR		

* WHEN ORDERING WITH A PREATTACHED CONNECTOR, PLEASE NOTE THAT THE CONNECTOR WILL NOT FIT THROUGH THE PROBE MOUNTING HOLE. THE PROBE MUST BE INSERTED FROM THE BOTTOM SIDE OF THE MOUNTING PLATE.

CONSULT IDI FOR MORE INFORMATION.

Specifications subject to change without notice. Dimensions in inches (millimeters)