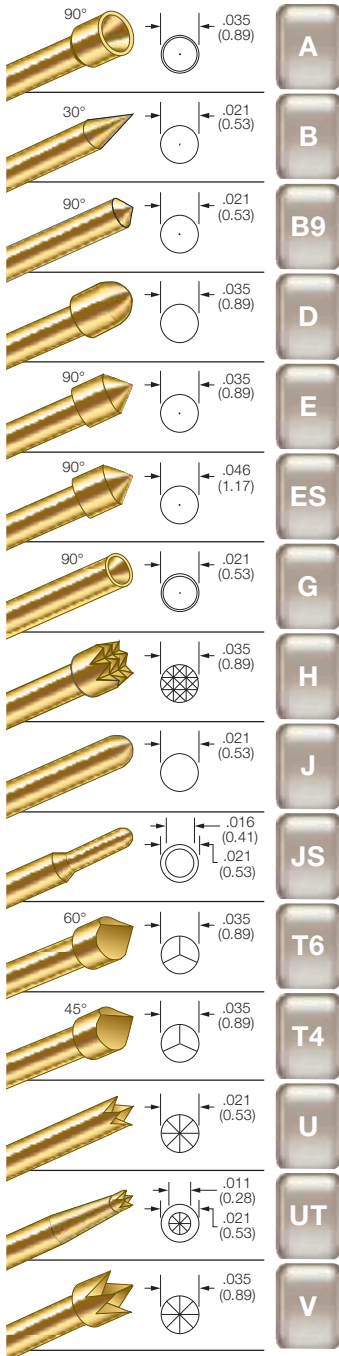


Series S Size 0 - .050 Centers

BeCu PLUNGER TIPS



PROBE SPECIFICATIONS

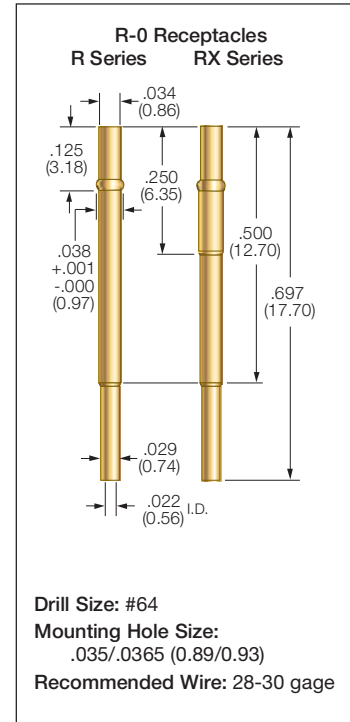
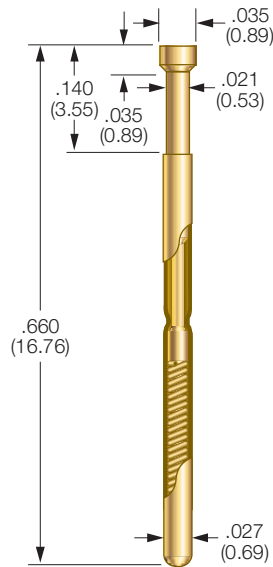
Minimum Centers: .050 (1.27)
Current Rating: 3 amps continuous
Spring Force: 2.2, 2.5 or 3.7 oz. @ .070 (1.78) travel
Typical Resistance: < 35 mΩ
Maximum Travel: .100 (2.54)
Working Travel: .070 (1.78)

Rated Force oz. (g)	Preload oz. (g)	Material
2.2 (62)	0.6 (17)	BeCu
2.5 (71)	0.6 (17)	SS
3.7 (105)	1.9 (54)	MW

MATERIALS

Barrel: Nickel/silver, gold plated
Spring: Beryllium copper, music wire or stainless steel, gold plated
Plunger: Beryllium copper, gold plated over nickel or Duralloy™
Receptacle: Nickel/silver, gold plated, gold plated post
Plug-In Terminal: Beryllium copper, preplated gold

S-0 PROBE



Drill Size: #64
Mounting Hole Size: .035/.0365 (0.89/0.93)
Recommended Wire: 28-30 gage

RECEPTACLE OPTIONS

Part Number	Style	Receptacle Length	Probe/Receptacle Combined Length	Comments
R-0-CR	Crimp	0.697 (17.70)	0.857 (21.77)	—
R-0-SC	Solder Cup	0.697 (17.70)	0.857 (21.77)	—
R-0-WW-016	Wire Wrap	0.947 (24.05)	1.107 (28.12)	.250 post length - .016 sq.
R-0-WW-025	Wire Wrap	0.997 (25.32)	1.157 (29.39)	.300 post length - .025 sq.
R-0-PW	Preattached Wire	0.697 (17.70)	0.857 (21.77)	30 gage - non vacuum sealed*
R-0-DS	Duraseal®	0.697 (17.70)	0.857 (21.77)	30 gage - vacuum sealed*
R-0-WT	Plug-In Receptacle	0.697 (17.70)	0.857 (21.77)	For use with FP-Plug terminal
FP-Plug	Plug-In Terminal	—	—	Plugs into R-0-WT receptacle*

* Unless otherwise specified, wire length 36", strip length 1", 30 gage Kynar

HOW TO ORDER: SPRING CONTACT PROBE

S SERIES	0 SIZE	A TIP STYLE	2.2 SPRING FORCE	G PLATING OPTIONS
--------------------	------------------	-----------------------	----------------------------	-----------------------------

SERIES:
S: STANDARD
SX: IMPROVED POINTING ACCURACY

SPRING FORCE:
 2.2 oz. @ .070 (1.78) TRAVEL
 2.5 oz. @ .070 (1.78) TRAVEL
 3.7 oz. @ .070 (1.78) TRAVEL

PLATING OPTIONS:
G: GOLD PLATED PLUNGER
D: DURALLOY™ PLATED PLUNGER

CRIMPING PLIERS: CP0
INSERTION TOOL: RT0
WIRE PLUG TOOL: RTWT

RECEPTACLE

R SERIES	0 SIZE	CR TERMINATION
--------------------	------------------	--------------------------

SERIES:
R: HIGH PERFORMANCE
RX: IMPROVED POINTING ACCURACY

* UNLESS OTHERWISE SPECIFIED, WIRE LENGTH 36", STRIP LENGTH 1", 30 GAGE KYNAR. 12" & 36" STANDARD.

**FOR USE WITH FP-PLUG TERMINAL. 12" & 36" STANDARD

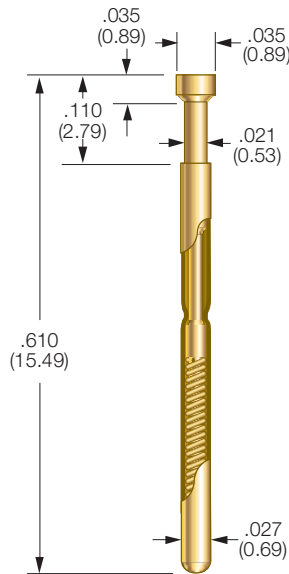
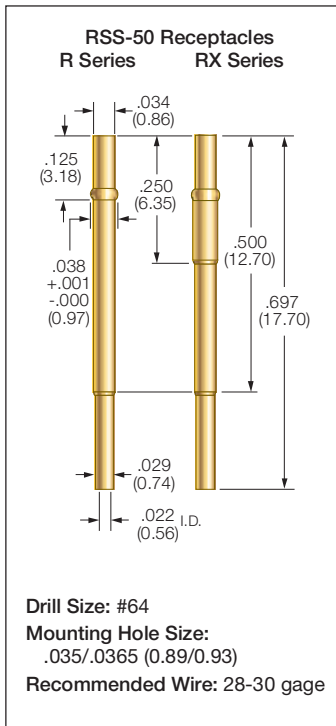
TERMINATIONS:
CR: CRIMP
SC: SOLDER CUP
WW-016: WIRE WRAP .016 SQ
WW-025: WIRE WRAP .025 SQ
PW: PREATTACHED WIRE*
DS: DURASEAL*
WT: PLUG-IN RECEPTACLE**

VIEW UPDATES OF THIS INFORMATION AT WWW.IDINET.COM

Specifications subject to change without notice. Dimensions in inches (millimeters)

.050 Centers - Size 50 Series SS

SS-50 PROBE



PROBE SPECIFICATIONS

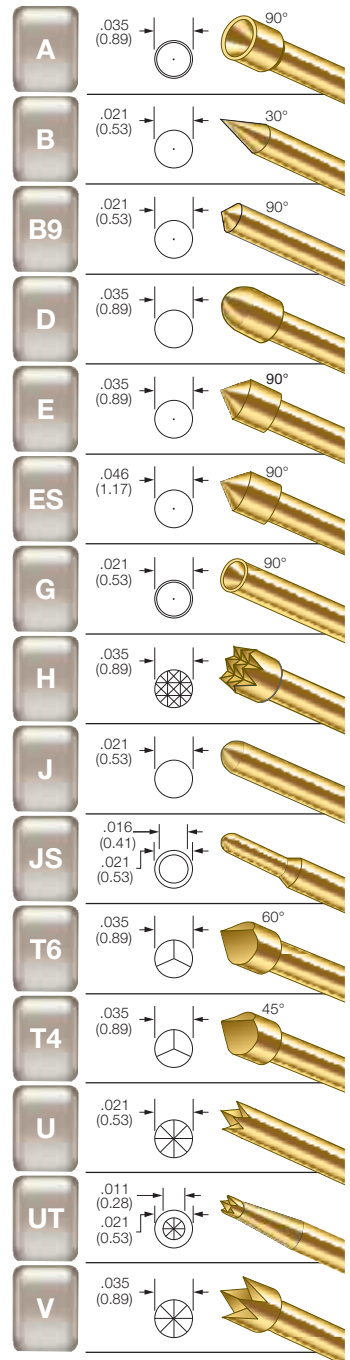
Minimum Centers: .050 (1.27)
 Current Rating: 3 amps continuous
 Spring Force: 2.9, 3.3 or 5.1 oz. @ .050 (1.27) travel
 Typical Resistance: < 35 mΩ
 Maximum Travel: .070 (1.78)
 Working Travel: .050 (1.27)

Rated Force oz. (g)	Preload oz. (g)	Material
2.9 (82)	1.1 (31)	BeCu
3.3 (94)	1.7 (48)	SS
5.1 (145)	1.5 (42)	MW

MATERIALS

Barrel: Nickel/silver, gold plated
 Spring: Beryllium copper, stainless steel or music wire, gold plated
 Plunger: Beryllium copper, gold plated over nickel or Duralloy™
 Receptacle: Nickel/silver, gold plated, gold plated post
 Plug-In Terminal: Beryllium copper, preplated gold

BeCu PLUNGER TIPS



RECEPTACLE OPTIONS

Part Number	Style	Receptacle Length	Probe/Receptacle Combined Length	Comments
RSS-50-CR	Crimp	0.697 (17.70)	0.807 (20.50)	—
RSS-50-SC	Solder Cup	0.697 (17.70)	0.807 (20.50)	—
RSS-50-WW-016	Wire Wrap	0.947 (24.05)	1.057 (26.85)	.250 post length - .016 sq.
RSS-50-WW-025	Wire Wrap	0.997 (25.32)	1.107 (28.12)	.300 post length - .025 sq.
RSS-50-PW	Preattached Wire	0.697 (17.70)	.807 (20.50)	30 gage - non vacuum sealed*
RSS-50-DS	Duraseal®	0.697 (17.70)	.807 (20.50)	30 gage - vacuum sealed*
RSS-50-WT	Plug-In Receptacle	0.697 (17.70)	.807 (20.50)	For use with FP-Plug terminal
FP-Plug	Plug-In Terminal	—	—	Plugs into R-SS-50-WT receptacle*

* Unless otherwise specified, wire length 36", strip length 1", 30 gage Kynar

HOW TO ORDER: SPRING CONTACT PROBE

SS	50	A	2.9	G
SERIES	SIZE	TIP STYLE	SPRING FORCE	PLATING OPTIONS
SERIES: SS: STANDARD SSX: IMPROVED POINTING ACCURACY		PLATING OPTIONS: G: GOLD PLATED PLUNGER D: DURALLOY™ PLATED PLUNGER		
SPRING FORCE: 2.9 oz. @ .050 (1.27) TRAVEL 3.3 oz. @ .050 (1.27) TRAVEL 5.1 oz. @ .050 (1.27) TRAVEL		CRIMPING PLIERS: CPSS50 INSERTION TOOL: RTSS50 WIRE PLUG TOOL: RTWT		

RECEPTACLE

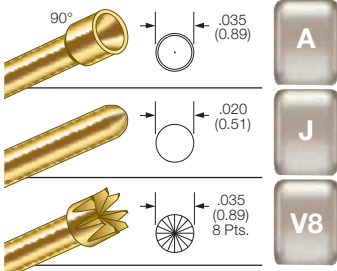
RSS	50	CR
SERIES	SIZE	TERMINATION
SERIES: RSS: HIGH PERFORMANCE RXSS: IMPROVED POINTING ACCURACY		TERMINATIONS: CR: CRIMP SC: SOLDER CUP WW-016: WIRE WRAP .016 SQ WW-025: WIRE WRAP .025 SQ PW: PREATTACHED WIRE* DS: DURASEAL® WT: PLUG-IN RECEPTACLE**
* UNLESS OTHERWISE SPECIFIED, WIRE LENGTH 36", STRIP LENGTH 1", 30 GAGE KYNAR. 12" & 36" STANDARD. **FOR USE WITH FP-PLUG TERMINAL. 12" & 36" STANDARD.		

VIEW UPDATES OF THIS INFORMATION AT WWW.IDINET.COM

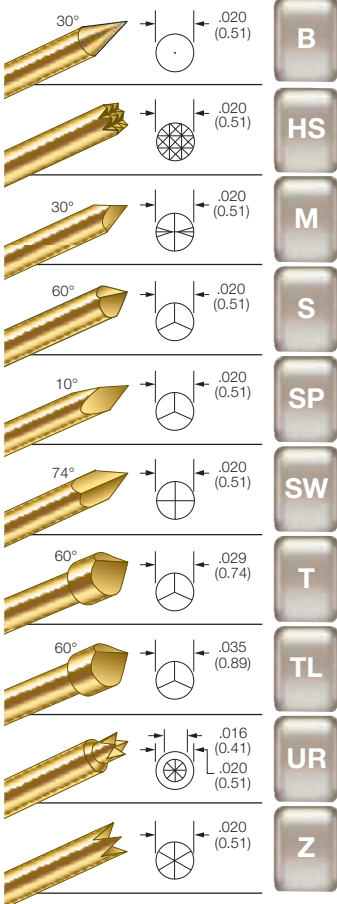
Specifications subject to change without notice. Dimensions in inches (millimeters)

ICT-50C and S-50C Size 50C - .050 Centers

BeCu PLUNGER TIPS



STEEL PLUNGER TIPS



PROBE SPECIFICATIONS

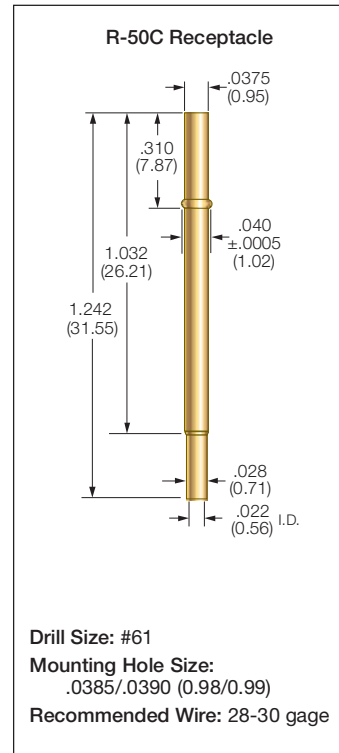
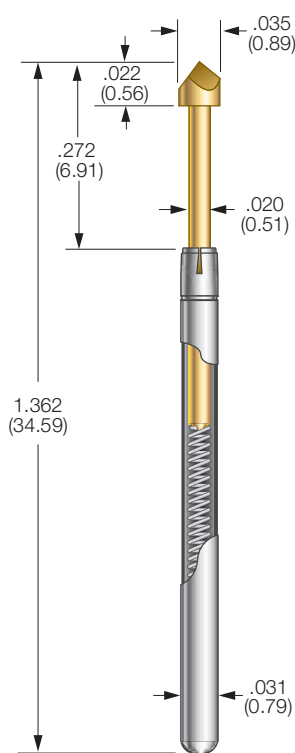
Minimum Centers: .050 (1.27)
Current Rating: 3 amps continuous
Spring Force: 4.3 or 5.6 oz. @ .170 (4.32) travel
Typical Resistance:
 < 20 mΩ for ICT-50C
 < 25 mΩ for S-50C
Maximum Travel: .250 (6.35)
Working Travel: .170 (4.32)

Rated Force oz. (g)	Preload oz. (g)	Material
4.3 (122)	1.9 (54)	SS
5.6 (159)	2.1 (60)	MW

MATERIALS

Barrel: Nickel/silver, gold lined
Spring: Music wire, nickel plated or stainless steel
Plunger: Beryllium copper or steel, gold plated over nickel
Receptacle: Beryllium copper, preplated gold, gold plated post
Terminal: Beryllium copper, preplated gold

ICT-50C/S-50C PROBE



Drill Size: #61
Mounting Hole Size: .0385/.0390 (0.98/0.99)
Recommended Wire: 28-30 gage

RECEPTACLE OPTIONS

Part Number	Style	Receptacle Length	Probe/Receptacle Combined Length	Comments
R-50C-CR	Crimp	1.242 (31.54)	1.572 (39.92)	—
R-50C-SC	Solder Cup	1.242 (31.54)	1.572 (39.92)	—
R-50C-WW-016	Wire Wrap	1.492 (37.89)	1.822 (46.27)	.250 post length - .016 sq.
R-50C-WW-025	Wire Wrap	1.542 (39.16)	1.872 (47.55)	.300 post length - .025 sq.
R-50C-DS	Duraseal®	1.242 (31.54)	1.572 (39.92)	30 gage wire, vacuum sealed*
R-50C-WT	Plug-In Receptacle	1.242 (31.54)	1.572 (39.92)	For use with FP-Plug plug-in terminal
FP-Plug	Plug-In Terminal	—	—	Plugs into R-50C-WT receptacle*

* Unless otherwise specified, wire length 36", strip length 1", 30 gage Kynar

HOW TO ORDER: SPRING CONTACT PROBE

ICT	50C	T	5.6	DG	S
SERIES	SIZE	TIP STYLE	SPRING FORCE	PLATING OPTIONS	STEEL PLUNGER OPTION

SERIES:
 ICT: HIGH PERFORMANCE
 S: STANDARD PERFORMANCE, (No BIFURCATED BEAM)

SPRING FORCE:
 4.3 oz. @ .170 (4.32) TRAVEL
 5.6 oz. @ .170 (4.32) TRAVEL

CRIMPING PLIERS: CPR50C
INSERTION TOOL: RTR50C

RECEPTACLE

R	50C	CR
SERIES	SIZE	TERMINATION

TERMINATIONS:
 CR: CRIMP
 SC: SOLDER CUP
 WW-016: WIRE WRAP .016 SQ
 WW-025: WIRE WRAP .025 SQ

DS: DURASEAL®
WT: PLUG-IN RECEPTACLE**

* UNLESS OTHERWISE SPECIFIED, WIRE LENGTH 36", STRIP LENGTH 1", 30 GAGE KYNAR. 12" & 36" STANDARD.

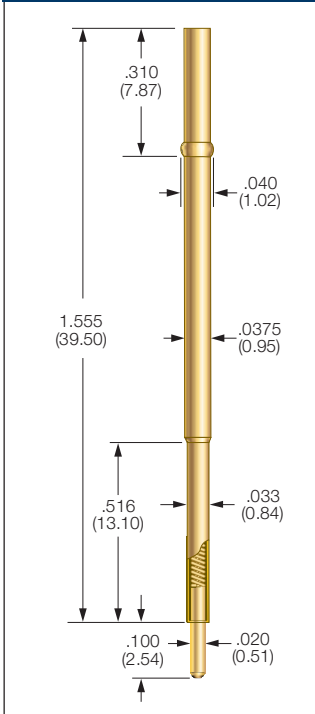
**FOR USE WITH FP-PLUG PLUG-IN TERMINAL. 12" & 36" STANDARD.

VIEW UPDATES OF THIS INFORMATION AT WWW.IDINET.COM

Specifications subject to change without notice. Dimensions in inches (millimeters)

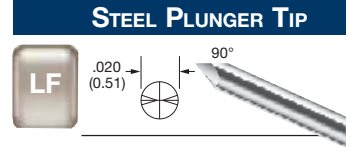
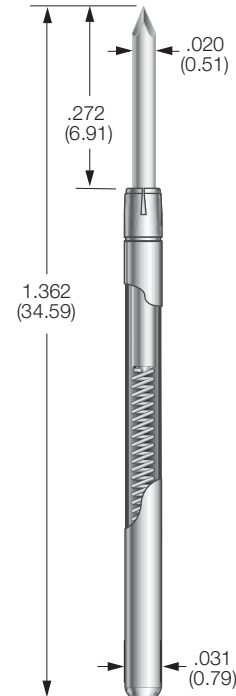
WIRELESS RECEPTACLE

R-50C-J-DE



LEAD FREE TEST PROBE

ICT-50C-LF PROBE



PROBE SPECIFICATIONS

Minimum Centers: .050 (1.27)
 Drill Size: #61
 Mounting Hole Size:
 .0385/.0390 (0.98/0.99)
 Spring Force: 2.7 oz. (77g) @
 .069 (1.75) travel
 Maximum Travel: .100 (2.54)
 Working Travel: .070 (1.77)

MATERIALS

Receptacle: Beryllium copper,
 gold plated
 Spring: Music wire, gold plated
 Plunger: Beryllium copper,
 gold plated over nickel

HOW TO ORDER

R	50C	J	DE
SERIES	SIZE	TIP STYLE	TERMINATION

PROBE SPECIFICATIONS

Minimum Centers: .050 (1.27)
 Current Rating: 3 amps
 continuous
 Spring Force: 5.6 oz. @ .170
 (4.32) travel
 Typical Resistance: < 60 mΩ
 against a lead free surface
 Maximum Travel: .250 (6.35)
 Working Travel: .170 (4.32)

MATERIALS

Barrel: Nickel/silver, gold lined
 Spring: Music wire, nickel plated
 Plunger: Steel, Duralloy™ plated

HOW TO ORDER

ICT	50C	LF	5.6	DGD	S
SERIES	SIZE	TIP STYLE	SPRING FORCE	PLATING OPTIONS	STEEL PLUNGER

Specifications subject to change without notice. Dimensions in inches (millimeters).